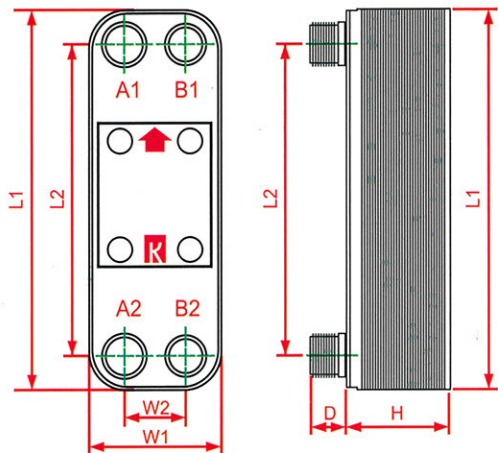


Brazed Plate Heat Exchanger

Plate Material
SUS316

Brazed Plate Material
99.9% Cu or Ni



Design Condition for copper Brazed PHE

Model	Max. Allowable Pressure	Test Pressure	Working Temperature Range
K030,K050	30 Bar	43 Bar	-160~+200°C
K070,K095			
K105,K205			
K210	16 Bar	23 Bar	-160~+200°C
K030E	10 Bar	16 Bar	-160~+200°C

B P H E Dimensions

Type	L1 (mm)	L2 (mm)	W1 (mm)	W2 (mm)	Weight (kg)	H Thickness (mm)	Area m ² /plate	Volume Liter/channel	Max. No. Plate	D Connection Height (mm)
K030(E)	194	154	80	40	0.8 + 0.050N	10.0 + 2.25N	0.0123	0.025	60	20/27
K050	306	250	106	50	1.5 + 0.135N	10.0 + 2.40N	0.0265	0.056	100	20/27
K070	304	250	124	70	1.6 + 0.150N	10.0 + 2.40N	0.0315	0.067	100	20/27
K095	522	466	106	50	3.1 + 0.220N	10.0 + 2.40N	0.050	0.100	120	20/27
K105	504	444	124	64	3.5 + 0.240N	10.0 + 2.40N	0.058	0.112	120	20/27
K205	528	456	246	174	7.2 + 0.520N	11.5 + 2.40N	0.1135	0.234	160	27
K210	527	430	245	148	8.5 + 0.490N	11.0 + 2.85N	0.1036	0.280	140	27/42

N = No. of plates

